

# SILVERLINE SINGLE SCISSORS

## BETTER MANUAL HANDLING

### TECHNICAL SPECIFICATIONS

- > LIFT CAPACITY: FROM 1000 - 2000 KG
- > TRAVEL: 810 MM.
- > CLOSED HEIGHT: 200 MM.
- > LENGTH: 1300 MM.
- > WIDTH: 800 - 1000 MM.
- > POWER SUPPLY: 3x400 V/50 Hz+PE
- > CE MARKED
- > AVAILABLE IN RAL COLOUR 7031
- > 2 COMPONENT POLYURETHANE PAINT (RAL)
- > RECOMMENDED USE: MAX 5-6 LIFTS, 8 HOURS A DAY  
- INQUIRE FOR MORE INTENSE USE
- > 2 SAFETY LOCKS FOR MAINTENANCE
- > SAFETY TRIP BAR IN ALUMINIUM



Our Silverline series sets a new standard for non-bespoke lifting tables. You get Danish craftsmanship at a low price and easy access to spareparts. A lifting table can provide a solution whenever heavy lifting, awkward working positions and height variations is a challenge. The Silverline lifting tables are available in painted steel and have three types of accessories that can be added to the lifting table:

1: Upper/lower limit switch

2: Mobility wheel kit

3: Truck frame

See the standard Silverline models on the next page or find more information at [www.translyft.co.uk](http://www.translyft.co.uk)



The Silverline is perfect as a work table for heavy objects.

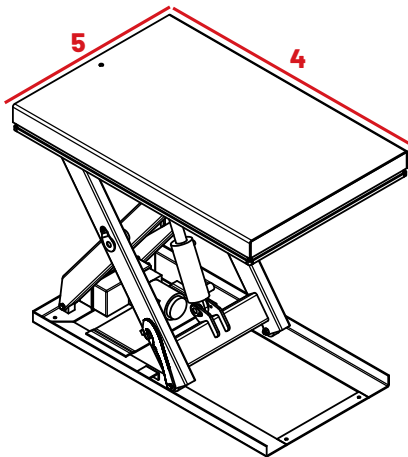


A lifting table eases manual handling and optimizes efficiency.

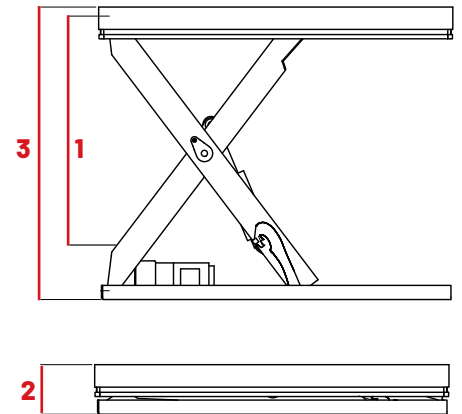


The Silverline is delivered in a wear resistant RAL 7011 paint finish.

Type/Capacity kg	Travel mm	Closed height mm	Total raised height mm	Length mm	Width mm	Lift time sec	Motor kW	Weight kg
SL 1000 B	810	200	1010	1300	800	16	0,75	160
SL 1000 F	810	200	1010	1300	1000	18	0,75	170
SL 2000	810	200	1010	1300	800	21	0,75	240
SL 2000 F	810	200	1010	1300	1000	23	0,75	250



**Capacity** Highest load capability (when loaded correctly)  
**Travel (1)** Travel from closed height to top position  
**Closed height (2)** Height at lowest position  
**Total raised height (3)** Height at top position  
**Length (4)** Platform length  
**Width (5)** Platform width  
**Lift time** Time in sec. to top position  
**Motor** Size of motor  
**Weight** Weight of table



**We know that every lift is unique and that all workspaces are different.**

Contact us at 0870 904 7775 to find the perfect lifting table for you.